

## ■Absolute maximum rating

Parameter	Value	Unit
Applied voltage	12*	V
Operating temp.	-20~70	°C

\*Recommended voltage  $V_{CC}=5V$

## ■Corresponding AMR sensor

AMR sensor	Phase
KG0243-22	ABZ
KG1002-61	A
KG1003-02	A
KG1101-51	A
KG1203-62	AB
KG1204-51	AB
KG1205-61	AB

AMR sensor	Phase
KG1206-61	AB
KG1223-62	AB
KG1301-61	AB
KG1302-01	ABZ
KG1402-61	AB

## ■Board

Material	FR-4
Thickness	1.2mm
Electrode	Au

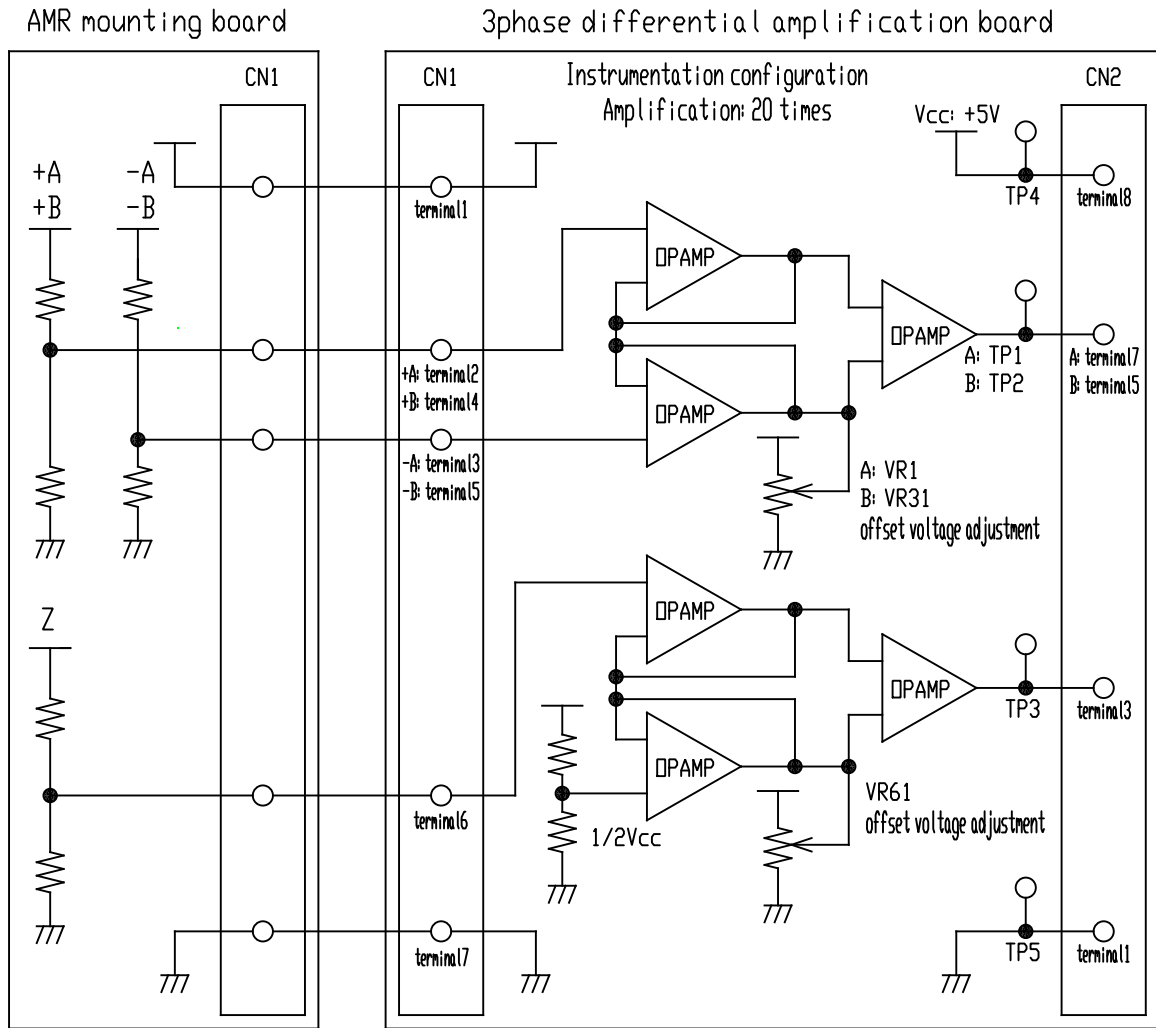
## ■Pin assignment

INPUT(CN1)		OUTPUT(CN2)	
Terminal	Function	Terminal	Function
1	$V_{CC}$	1	GND
2	+A	2	NC
3	-A	3	Z
4	+B	4	NC
5	-B	5	B
6	Z	6	NC
7	GND	7	A
-	-	8	$V_{CC}$

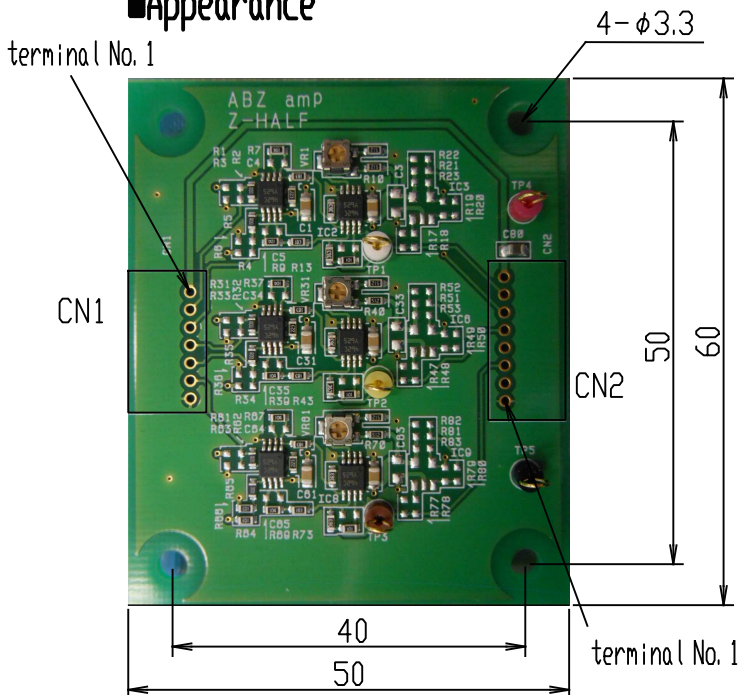
# 3phase differential amplification board

2020. 3. 27

## ■Circuit diagram



## ■Appearance



Color	Pin	Function
Red	TP4	V <sub>CC</sub>
White	TP1	A
Yellow	TP2	B
Brown	TP3	Z
Black	TP5	GND

Connectors can be mounted on the input / output terminals.  
 CN1 : Poles 7, Hole diameter 0. 9, Pitch 2  
 CN2 : Poles 8, Hole diameter 0. 9, Pitch 2

Unit  
mm