

φ 19.1 Magnet drum (AB)

2012.7

■ Drum shape

Drum diameter	φ 19.1mm
Axis hole	φ 4.0mm

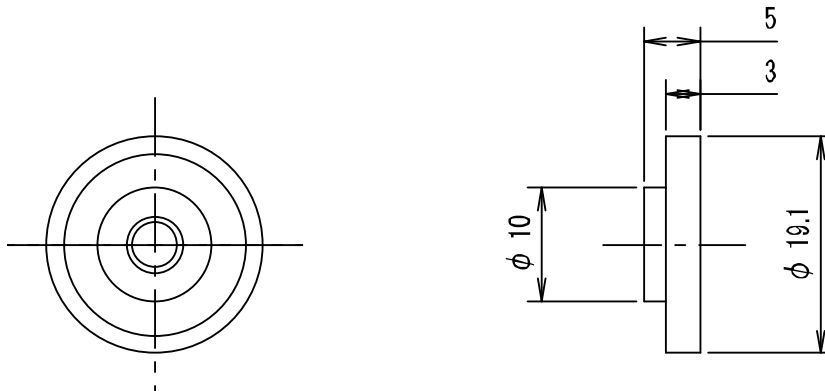
■ Magnetized

Magnetized pitch	400 μm
Number of pole	150 pulse

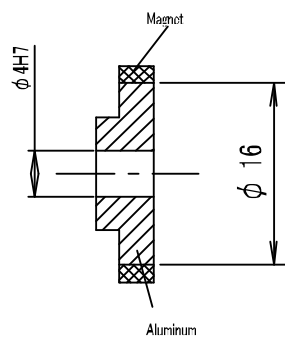
■ Materials

Magnetic material	Barium-Ferrite
Isotropy / Anisotropy	Anisotropic
Binder resin	PPS

■ Dimension



Section view



Unit

mm



Kohden Co., Ltd.