

# φ 19.1 Magnet Drum(ABZ)

2012.7

## ■ Drum shape

Drum diameter	φ 19.1mm
Axis hole	φ 4.0mm

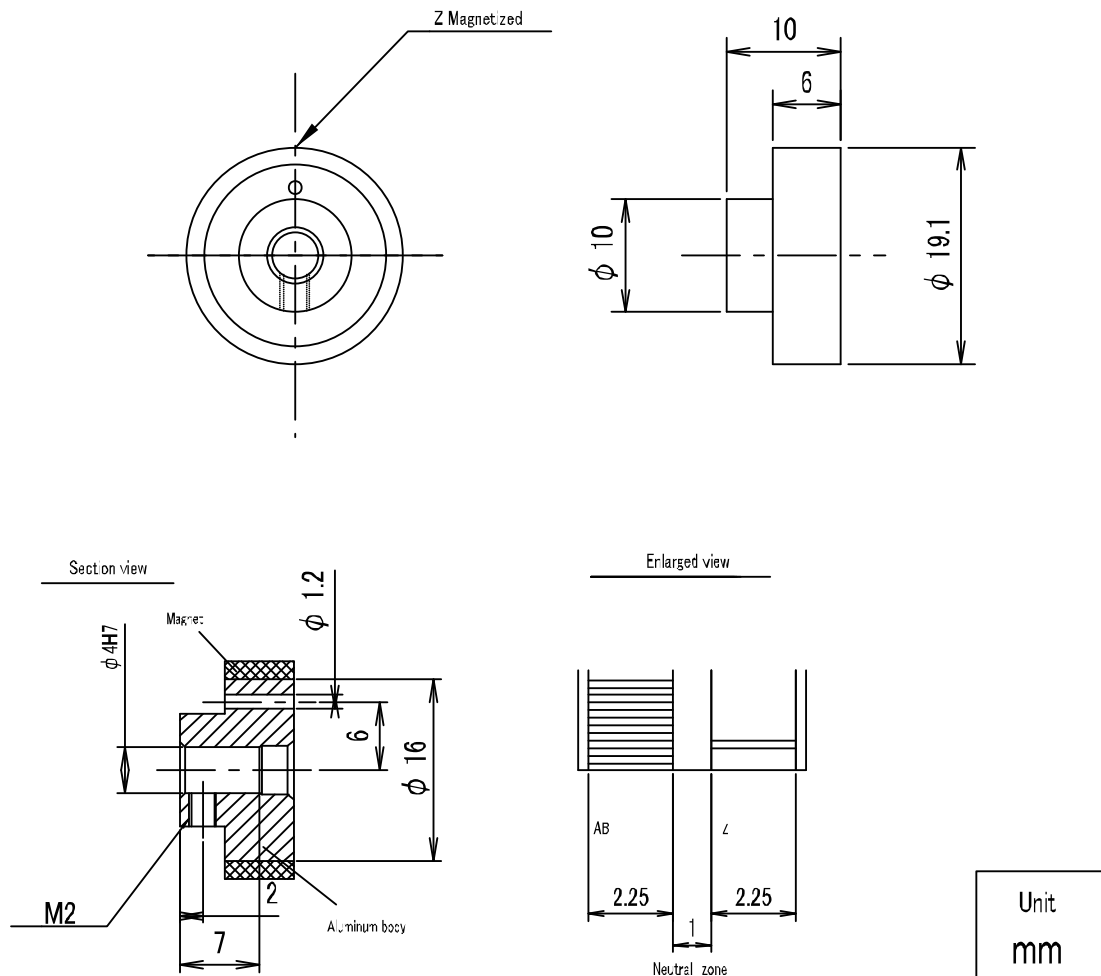
## ■ Magnetized

Magnetized pitch	200 μ m
Number of pole (AB)	300 pulse
Number of pole(Z)	1 pulse

## ■ Materials

Magnetic material	Brium-Ferrite
Isotropy/Anisotropy	Anisotropic
Binder resin	PPS

## ■ Dimension



Unit  
mm