

# φ 20 Drum magnet (Axial type)

2012.7

## ■ Drum shape

Drum diameter	φ 20mm
Inner diameter	φ 12mm

## ■ Magnetized

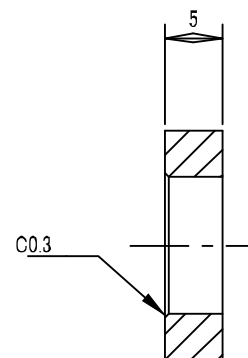
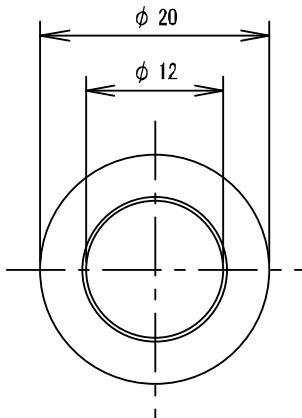
Magnetized pitch*	3.7mm
Number of pole	10 pulse

\* Inner pitch

## ■ Materials

Magnetic material	Brium-Ferrite
Isotropy / Anisotropy	Anistropic
Binder resin	PPS

## ■ Diameter



Unit

mm



Kohden Co., Ltd.