

φ 20 Drum magnet(Radial)

2012.7

■ Drum shape

Drum diameter	φ 20mm
Axis hole	φ 12mm

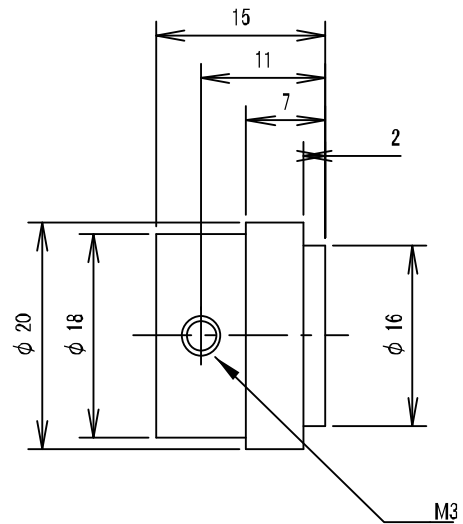
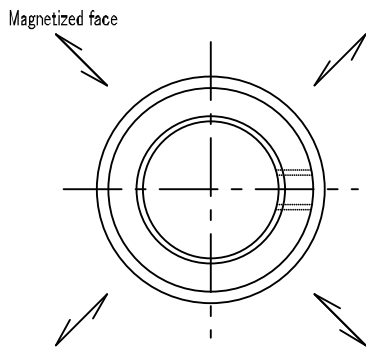
■ Magnetized

Magnetized pitch	4mm
Number of pole	16 pulse

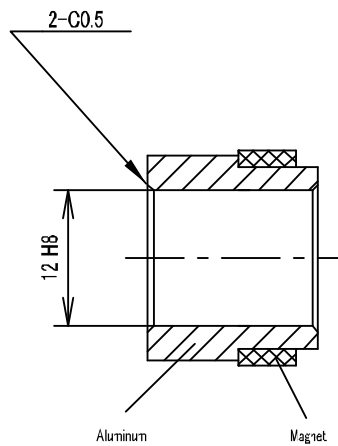
■ Materials

Magnetic material	Brium-Ferrite
Isotropy/Anisotropy	Anistropic
Binder resin	PPS

■ Dimension



Section view



Unit
mm