

# φ 40 Drum magnet (Axial type)

2012.7

Axial magnetized type

## ■ Drum shape

Drum diameter	φ 40mm
Inner diameter	φ 24mm

## ■ Magnetized

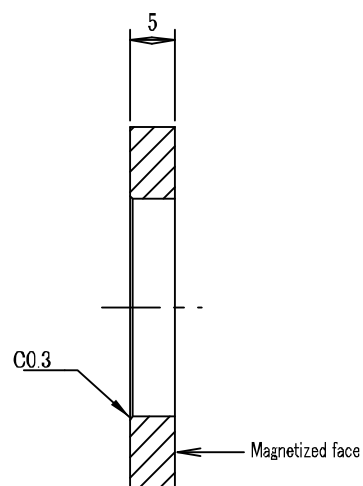
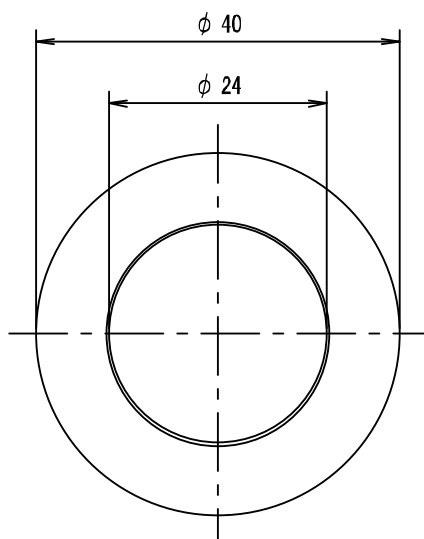
Magnetized pitch*	4.2mm
Number of pole	18 pulse

\* Inner pitch

## ■ Materials

Magnetic material	Barium-Ferrite
Isotropy/Anisotropy	Anisotropic
Binder resin	PPS

## ■ Dimension



Unit

mm



Kohden Co., Ltd.