

# φ 40 Drum magnet (radial type)

2012.7

Radial magnetized type

## ■ Drum shape

Drum diameter	φ 40mm
Axis hole	φ 12mm

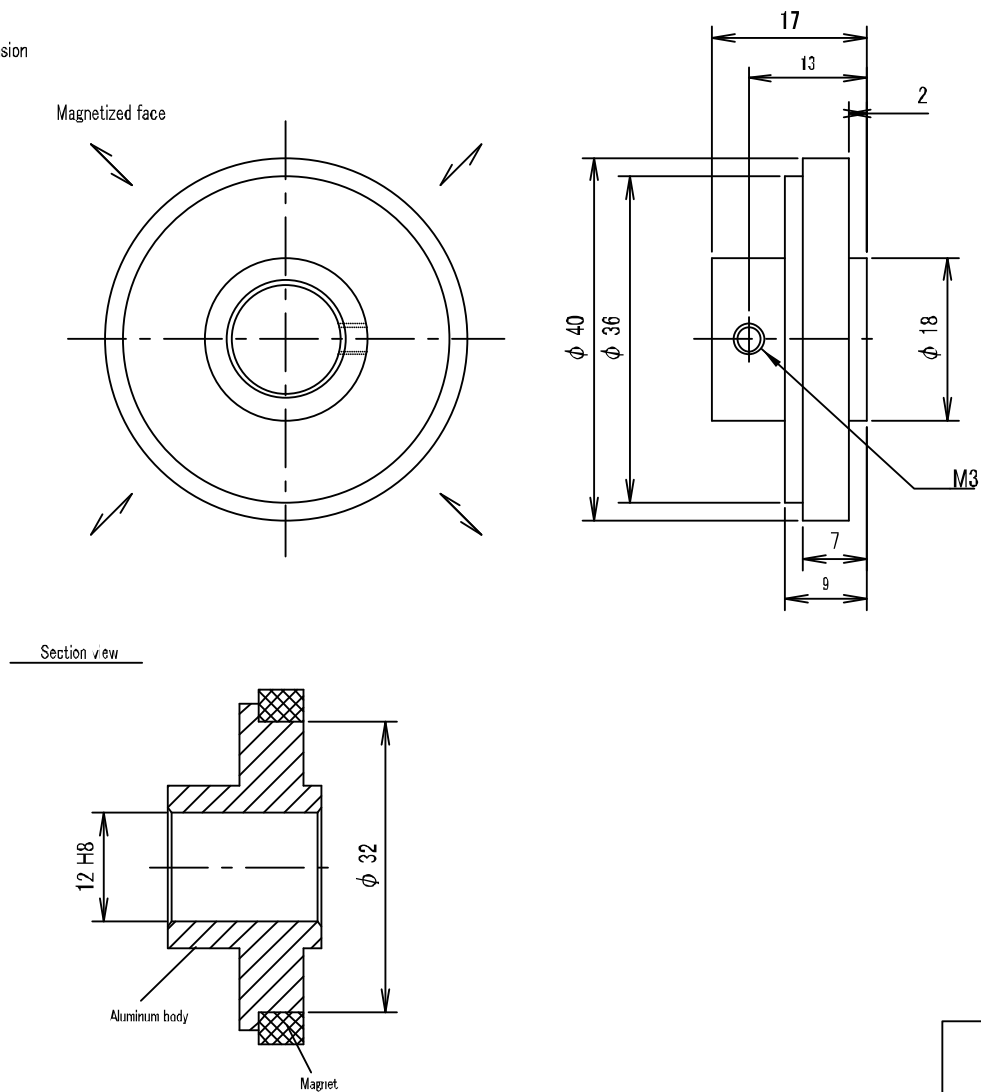
## ■ Magnetized

Magnetized pitch	4mm
Number of pole	32 pulse

## ■ Materials

Magnetic Material	Barium-Ferrite
Isotropy/Anisotropy	Anisotropic
Binder resin	PPS

## ■ Dimension



Unit  
mm



Kohden Co., Ltd.