

φ7 Radial dipole magnet

2012.7

■ Magnet shape

Drum diameter	φ 7 mm
Thickness	3 mm

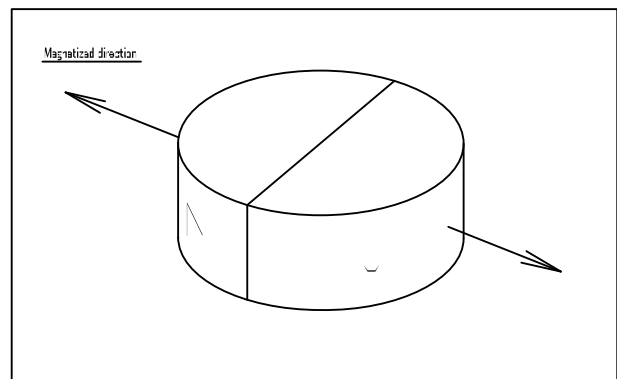
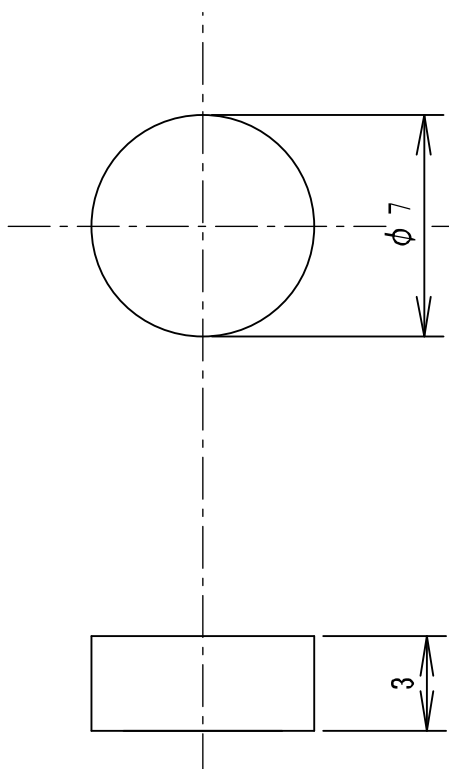
■ Magnetized

Magnetized face	Radial
Number of pole	Dipole

■ Materials

Magnetic material	Ferrite
Isotropy/Anisotropy	Anisotropic
Forming	Baked

■ Dimension



Unit
mm