

φ 7 Drum magnet

2012.7

■ Magnet shape

| | |
|----------------|---------|
| Drum diameter | φ 7 mm |
| Inner diameter | φ 1.5mm |

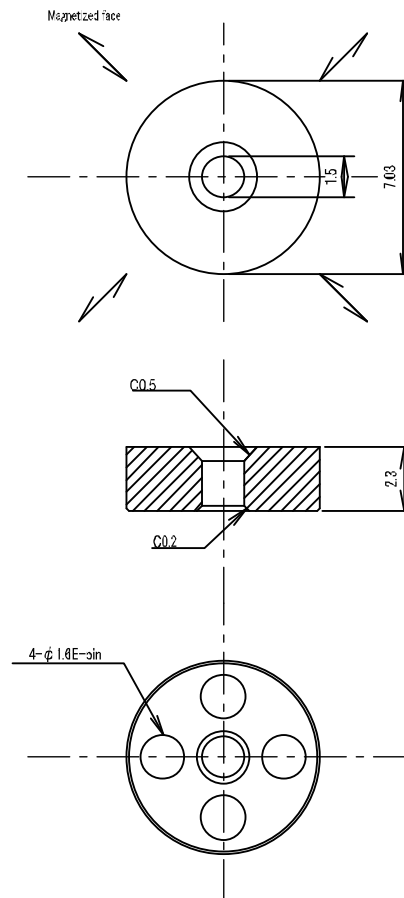
■ Magnetized

| | |
|------------------|-----------|
| Magnetized pitch | 1.374 μ m |
| Number of pole | 16 pulse |

■ Materials

| | |
|---------------------|----------------|
| Magnetic material | Barium-Ferrite |
| Isotropy/Anisotropy | Anisotropic |
| Binder resin | 12PA |

■ Dimension



単位
mm



Kohden Co., Ltd.