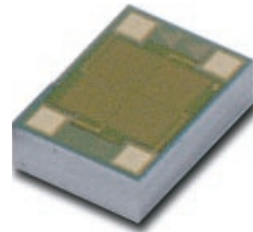


Flip chip type MR sensor

KG0939

Features

- Micro size MR.
- Small range offset voltage.
- Superior anti-noise for differential output drive.
- RoHS directive compliance.



Absolute maximum rating

Parameter	Value	Unit
Operating ambient temperature	-20~100	°C
Storage temperature	-30~110	°C
Applied voltage	10	VDC

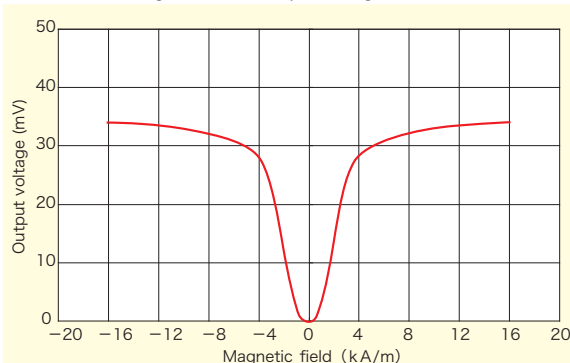
Electrical properties

Ta=25 °C, Vcc=5 V

Parameter	Condition	Value			Unit
		min	typ	max	
Input resistance	Vcc-GND	8	9.2	11.4	kΩ
Temperature coefficient of resistance	-	0.2	0.3	0.4	%/°C
Median potential	0 kA/m	2470	2500	2530	mV
Temperature coefficient of offset voltage	0 kA/m	-8	0	+8	$\frac{\mu V/V_{cc}}{C}$
Offset voltage	0 kA/m	-4.8	0	+4.8	mV
Offset voltage	0 kA/m	-15	0	+15	mV
Output voltage	16 kA/m	30	34	38	mV
Temperature coefficient of output voltage	12 kA/m	-0.25	-0.35	-0.45	%/°C

Characteristics data (typ)

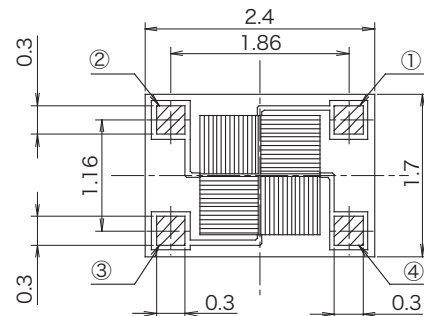
Magnetic field-output voltage Vcc=5 V



Packing form

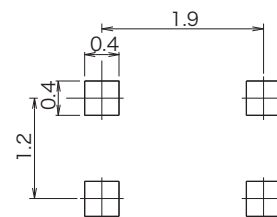
Style	Taping
Net	4000pcs/reel

Dimension(unit: mm)



Hatching: electrode
Base: Si (t=0.625mm)

Recommended land layout(unit: mm)



Equivalent circuit

