

KG1101-51 Assembly Board

2013.10

■ M R Sensor

Type	KG1101-51
------	-----------

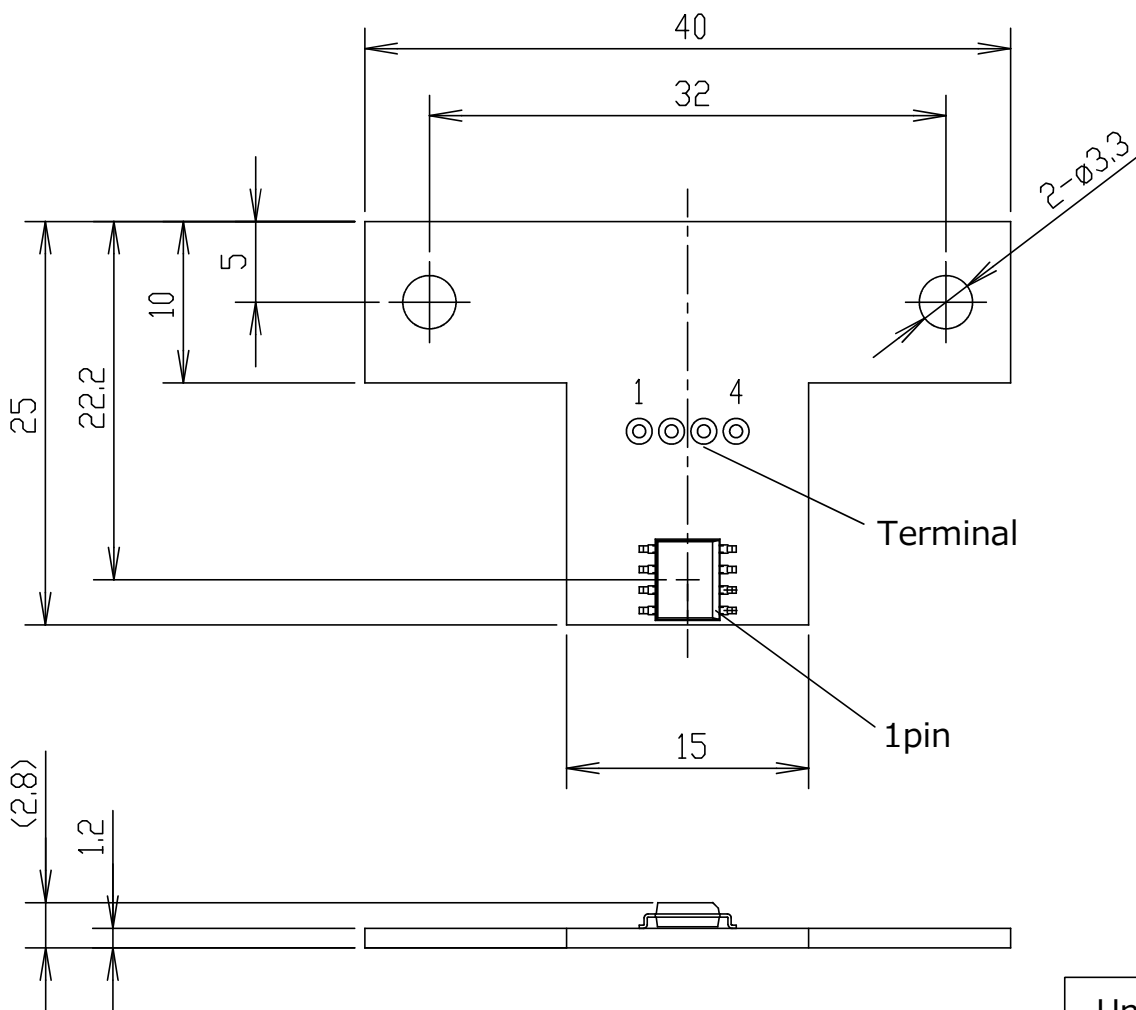
■ Pin Assignment

No.	Function
1	GND
2	-OUT
3	+OUT
4	Vcc

■ Board

Material	FR-4
Thickness	1.2mm
Electrode	Au

■ Dimension



Unit
mm