

KG1203-62 Assembly Board

2013.10

■ MR Sensor

Type	KG1203-62
------	-----------

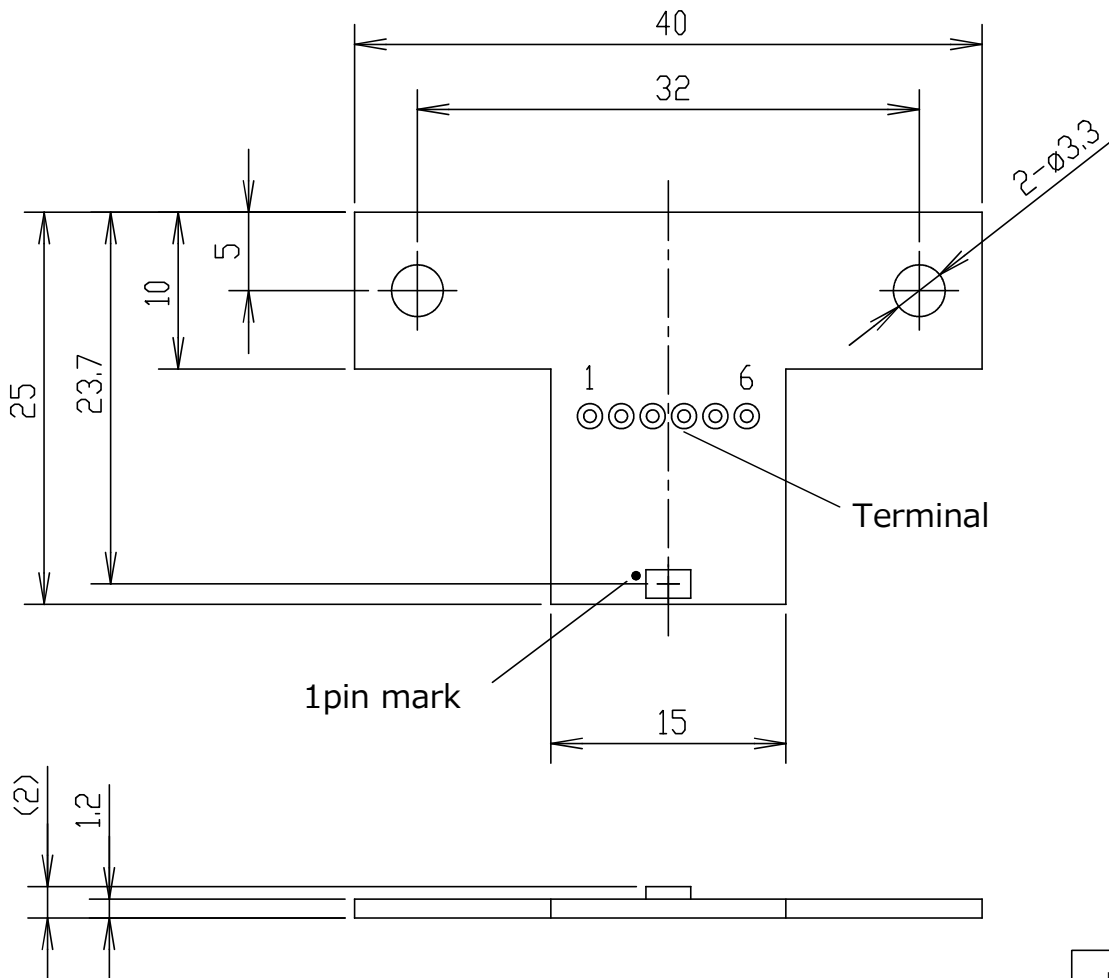
■ Pin Assignment

No.	Function
1	GND
2	-B
3	+B
4	-A
5	+A
6	Vcc

■ Board

Material	FR-4
Thickness	1.2mm
Electrode	Au

■ Dimension



Unit
mm



KOH DEN