

KG1204-51/KG1205-61/KG1206-61 Assembly Board

2019. 09

MR Sensor

Type	KG1204-51
	KG1205-61
	KG1206-61

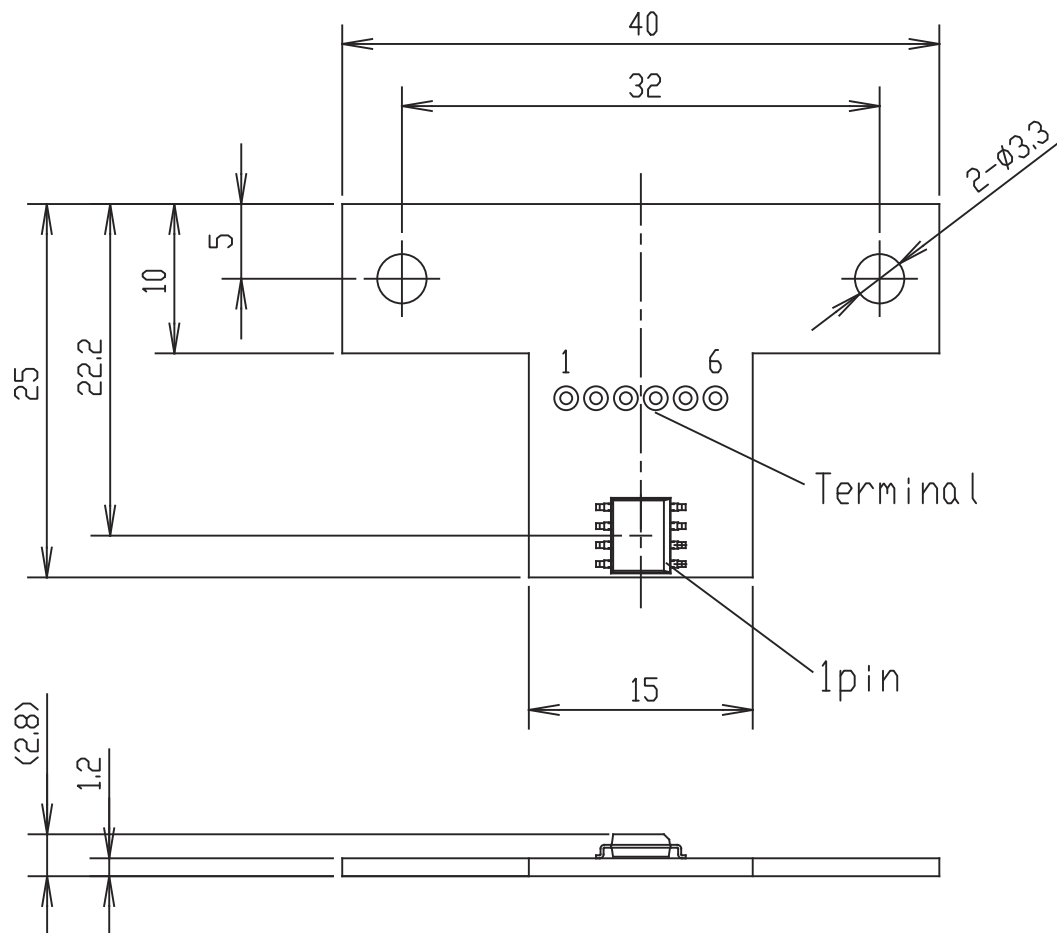
Pin Assignment

No.	Function
1	GND
2	-B
3	+B
4	-A
5	+A
6	Vcc

Board

Material	FR-4
Thickness	1.2mm
Electrode	Au

Dimension



Unit
mm



KOHDEN