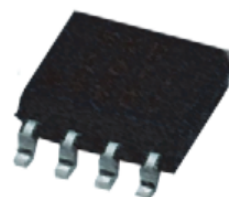


Mold package type 8 element AMR

KG1204-51

Features

- Moving direction could detected for AB phase.
- Superior anti-noise for differential output drive.
- Wide range operating temperature.
- High response speed.
- RoHS directive compliance.



Absolute maximum rating

Parameter	Value	Unit
Storage temperature	-50~130	°C
Operating ambient temperature	-40~125	°C
Applied voltage	10	VDC

Electromagnetic properties

Ta=25 °C, Vcc=5 V

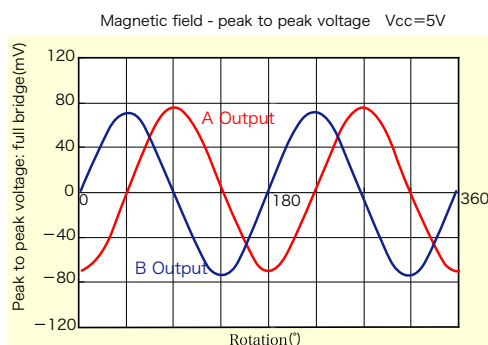
Parameter	Condition	Value			Unit
		min	typ	max	
Input resistance*	Vcc-GND	10	13	16	kΩ
Temperature coefficient of resistance	—	0.2	0.3	0.4	%/°C
Median potential**	±16 kA/m	2485	2500	2515	mV
Temperature coefficient of offset voltage	±16 kA/m	-15	0	+15	$\frac{\mu V/V_{cc}}{°C}$
		-8.25	0	+8.25	mV
Offset voltage	±16 kA/m	-25	0	+25	mV
Peak to peak voltage***	±16 kA/m	65	80	95	mV
Temperature coefficient of Vpp	±16 kA/m	-0.25	-0.35	-0.45	%/°C

* Vcc pins and GND pins connected.

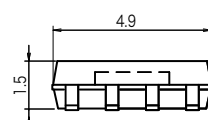
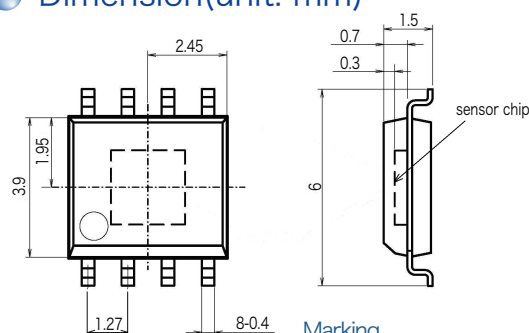
** Average of top and bottom peak voltage.

*** Output of top and bottom peak voltage.

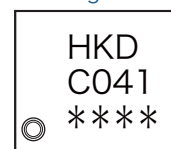
Output waveform example



Dimension(unit: mm)

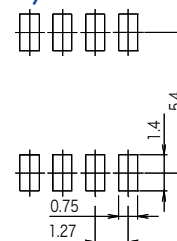


Marking

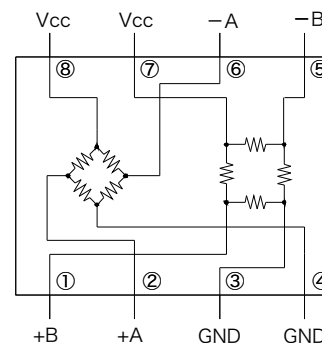


Company code
Product No. C041
Lot No.

Recommended land layout (unit:mm)



Equivalent circuit



Packing form

Style	Taping
Net	3000pcs/reel