

Mold package type 8 element MR

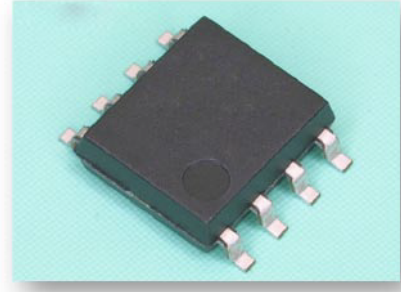
KG1206-61

● Features

- Moving direction could detected for AB phase.
- Superior anti-noise for differential output drive.
- Wide range operating temperature.
- RoHS directive compliance.

● Absolute maximum rating

Parameter	Value	Unit
Operating ambient temperature	-40~125	°C
Storage temperature	-50~130	°C
Applied voltage	10	VDC



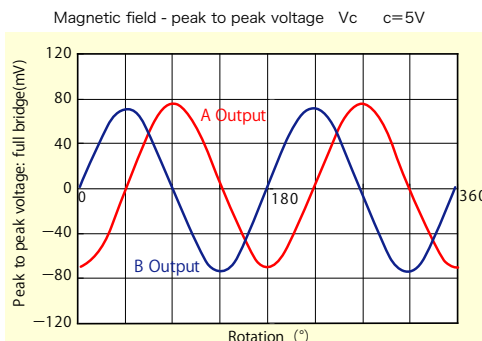
● Electrical properties

Ta=25 °C, Vcc=5 V

Parameter	Condition	Value			Unit
		min	typ	max	
Input resistance*	Vcc-GND	1	1.25	1.5	kΩ
Temperature coefficient of resistance	-	0.2	0.3	0.4	%/°C
Median potential**	±16 kA/m	2490	2500	2510	mV
Temperature coefficient of offset voltage	±16 kA/m	-10	0	+10	$\frac{\mu V}{V_{cc}}/°C$
Offset voltage	±16 kA/m	-8.25	0	+8.25	mV
Offset voltage	±16 kA/m	-5	0	+5	mV
Peak to peak voltage***	±16 kA/m	55	70	85	mV
Temperature coefficient of Vpp	±16 kA/m	-0.25	-0.35	-0.45	%/°C

- * Vcc pins and GND pins connected.
- ** Average of top and bottom peak voltage.
- *** Output of top and bottom peak voltage.

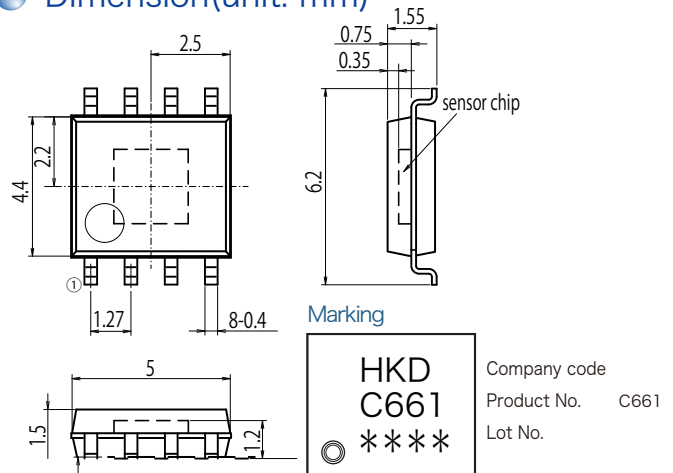
● Characteristics data (typ)



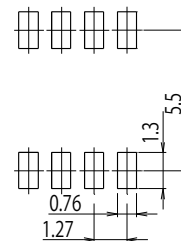
● Packing form

Style	Taping
Net	3000pcs/reel

● Dimension(unit: mm)



● Recommended land layout(unit: mm)



● Equivalent circuit

