

KG1223-62 Assembly Board

2019. 09

■MR Sensor

Type	KG1223-62
------	-----------

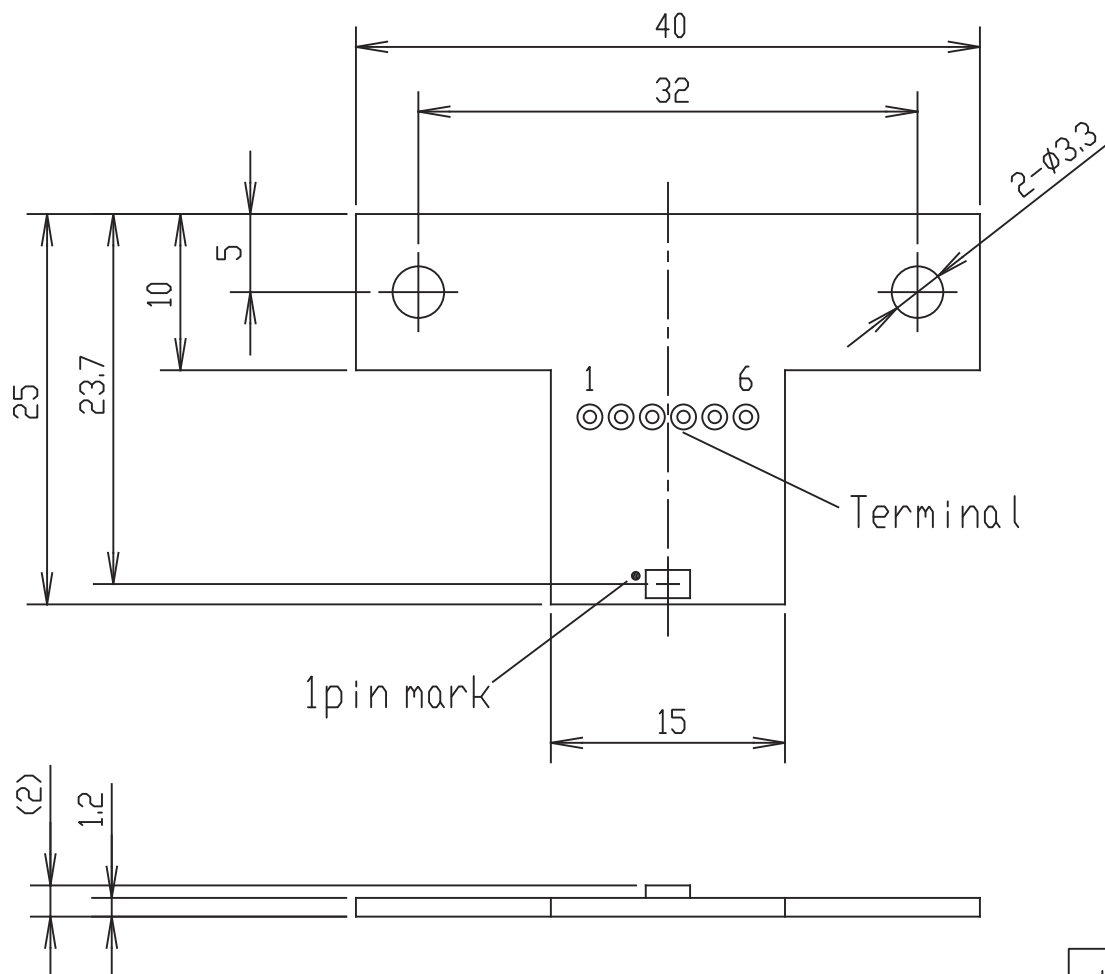
■Board

Material	FR-4
Thickness	1.2mm
Electrode	Au

■Pin Assignment

No.	Function
1	GND
2	+B
3	-B
4	-A
5	+A
6	Vcc

■Dimension



Unit
mm