

### ABZ phase MR sensor

#### KG1302-01

#### ● Features

- A, B phase fullbridge output.
- Movement to multipole magnet ( $\lambda=200$ ) detect.
- 0.5 mm pitch connector corresponded.
- Harmonics suppressed.
- RoHS directive compliance.



#### ● Absolute maximum rating

Parameter	Value	Unit
Operating ambient temperature	-20~100	°C
Storage temperature	-30~110	°C
Applied voltage	6	VDC

#### ● Electrical properties

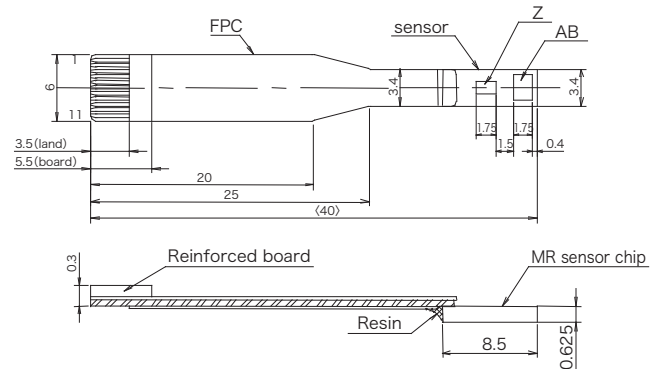
Ta=25 °C, Vcc=5 V

Parameter	Condition	Value			Unit
		min	typ	max	
Input resistance	Vcc-GND	680	850	1020	Ω
Temperature coefficient of resistance	-	0.2	0.3	0.4	%/°C
Median potential	0 kA/m	2490	2500	2510	mV
Temperature coefficient of offset voltage	0 kA/m	-8	0	+8	$\frac{\mu V}{V_{cc}}$
Offset voltage	0 kA/m	-4.8	0	+4.8	mV
Offset voltage	0 kA/m	-5	0	5	mV
Output voltage	4 kA/m	30	35	40	mV
Temperature coefficient of output voltage	4 kA/m	-0.25	-0.35	-0.45	%/°C

#### ● Pole-magnetization pitch

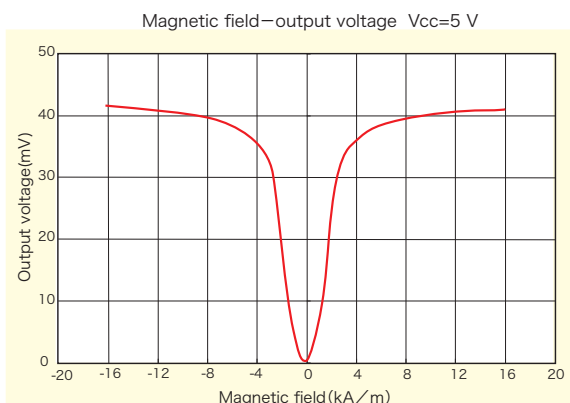
$\lambda=200\mu m$

#### ● Dimension(unit:mm)



Recommended connector: IL-FPR-U11S-HF-N1: JAE Ltd.

#### ● Characteristics data (typ)



#### ● Packing form

Style	Tray

#### ● Equivalent circuit

